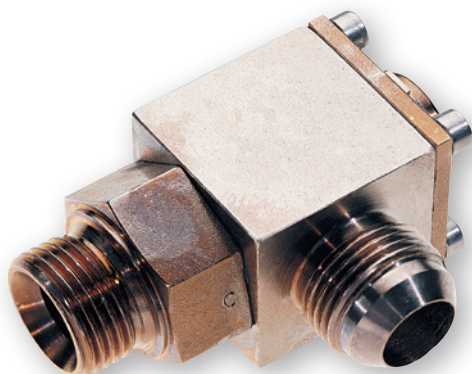


## TECHNICAL FEATURES



<b>REFERENCE</b>	1400 SRK/I (nickel plated steel)
<b>DIMENSIONS</b>	ND from 5 to 38 mm
<b>MATERIAL</b>	1400 SRK : nickel plated steel - 1400 SRI : stainless steel
<b>THREAD</b>	Implantation : A:BSPP - B:metric - C:UNF 2A - D:NPT - E:BSP Connection : 1 : JIC37° - 2 : BSPP - 3 : DIN 7608 - 4- : DIN2353S - 5 : BSPP - 6 : NPT
<b>PRESSURE</b>	Maximum 350 bar (see table)
<b>TEMPERATURE</b>	150° C maximum
<b>ROTATION</b>	Swiveling motion
<b>APPLICATION</b>	High pressure hose connection with jacks. Hydraulic connections.
<b>OBSERVATIONS</b>	Hydraulically balanced for easy rotation
<b>CONNECTION</b>	With hoses
<b>USE</b>	Oil, water (1400 SRK)

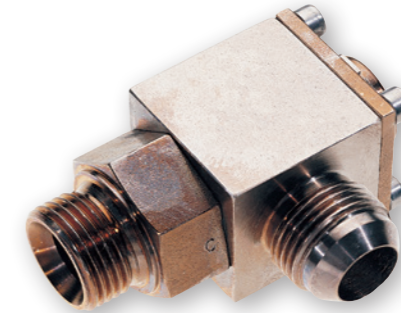
<b>Réf : 14</b>	13	SRK	D	1
Série				
Ø ND				
Material (Nickel plated steel)				
Thread (NPT)				
Connection hoses (JIC 37°)				

**Example**  
 Réf. 1413 SRK D1  
 14 : Type  
 13 : Ø ND (Tubing)  
 SRK : Nickel plated steel  
 D : Connection NPT in 1/2"  
 1 : Connection hoses  
 JIC 37° 1/2 20 F

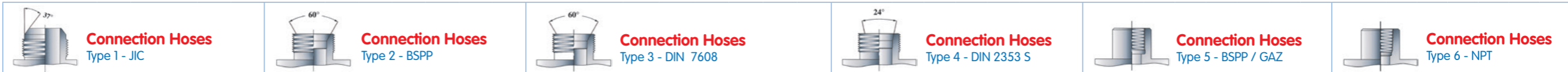
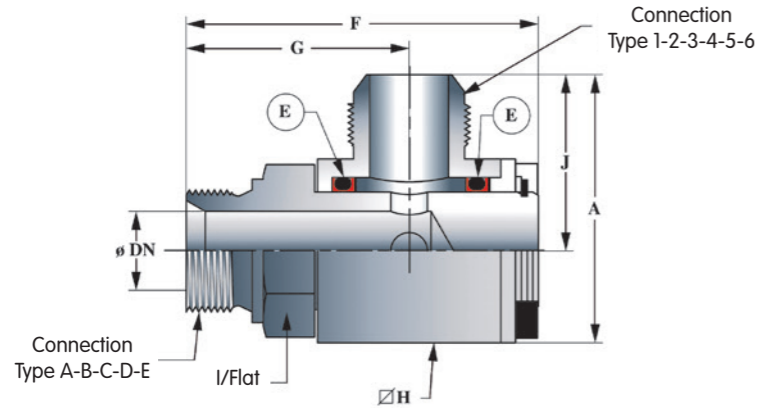
Reference	Connection		Connection hoses								Max. Pressure K/I
	Type	Type 1 • 2 • 3 • 4 • 5 • 6	Type 1 JIC	Type 2 BSPP	Type 3 DIN 7608	Type 4 DIN 2353 S	Type 5 BSPP / GAZ	Type 6 NPT	K/I		
	Ø DN	Connection	Connection	Connection	Connection	Connection	Connection	Connection			
1413 SRK	5	BSPP	1/4"	1/2.20 F	1/4"	16 x 1.5	Ø 8 16 x 1.5	1/4"	1/4"	350/175	
1417 SRK	8		3/8"	3/4.16 F	3/8"	18 x 1.5	Ø 12 20 x 1.5	3/8"	3/8"	350/175	
1421 SRK	10		1/2"	7/8.14 F	1/2"	22 x 1.5	Ø 16 24 x 1.5	1/2"	1/2"	300/150	
1427 SRK	16		3/4"	1" 1/16.12 F	3/4"	30 x 1.5	Ø 20 30 x 2	3/4"	3/4"	300/150	
1434 SRK	22		1"	1" 5/16.12 F	1"	38 x 1.5	Ø 25 36 x 2	1"	1"	250/125	
1442 SRK	25		1" 1/4					1" 1/4	1" 1/4	250/125	
1449 SRK	30		1" 1/2					1" 1/2	1" 1/2	200/100	
1460 SRK	38		2"					2"	2"	200/100	
1413 SRK	5	Métrique Norme E 48.050	M14 x 1.5	1/2.20 F	1/4"	16 x 1.5	Ø 8 16 x 1.5	1/4"	1/4"	350/175	
1417 SRK	8		M18 x 1.5	3/4.16 F	3/8"	18 x 1.5	Ø 12 20 x 1.5	3/8"	3/8"	350/175	
1421 SRK	10		M22 x 1.5	7/8.14 F	1/2"	22 x 1.5	Ø 16 24 x 1.5	1/2"	1/2"	300/150	
1427 SRK	16		M27 x 2	1" 1/16.12 F	3/4"	30 x 1.5	Ø 20 30 x 2	3/4"	3/4"	300/150	
1434 SRK	22		M33 x 2	1" 5/16.12 F	1"	38 x 1.5	Ø 25 36 x 2	1"	1"	250/125	
1413 SRK	5	UNF 2A (SAE)	1/2.20 F	1/2.20 F	1/4"	16 x 1.5	Ø 8 16 x 1.5	1/4"	1/4"	350/175	
1417 SRK	8		3/4.16 F	3/4.16 F	3/8"	18 x 1.5	Ø 12 20 x 1.5	3/8"	3/8"	350/175	
1421 SRK	10		7/8.14 F	7/8.14 F	1/2"	22 x 1.5	Ø 16 24 x 1.5	1/2"	1/2"	300/150	
1427 SRK	16		1" 1/16.12 F	1" 1/16.12 F	3/4"	30 x 1.5	Ø 20 30 x 2	3/4"	3/4"	300/150	
1434 SRK	22		1" 5/16.12 F	1" 5/16.12 F	1"	38 x 1.5	Ø 25 36 x 2	1"	1"	250/125	
1413 SRK	5	NPT (Briggs)	1/4"	1/2.20 F	1/4"	16 x 1.5	Ø 8 16 x 1.5	1/4"	1/4"	350/175	
1417 SRK	8		3/8"	3/4.16 F	3/8"	18 x 1.5	Ø 12 20 x 1.5	3/8"	3/8"	350/175	
1421 SRK	10		1/2"	7/8.14 F	1/2"	22 x 1.5	Ø 16 24 x 1.5	1/2"	1/2"	300/150	
1427 SRK	16		3/4"	1" 1/16.12 F	3/4"	30 x 1.5	Ø 20 30 x 2	3/4"	3/4"	300/150	
1434 SRK	22		1"	1" 5/16.12 F	1"	38 x 1.5	Ø 25 36 x 2	1"	1"	250/125	
1442 SRK	25		1" 1/4					1" 1/4	1" 1/4	250/125	
1449 SRK	30		1" 1/2					1" 1/2	1" 1/2	200/100	
1460 SRK	38		2"					2"	2"	200/100	
1413 SRK	5	BSP / GAZ	1/4"	1/2.20 F	1/4"	16 x 1.5	Ø 8 16 x 1.5	1/4"	1/4"	350/175	
1417 SRK	8		3/8"	3/4.16 F	3/8"	18 x 1.5	Ø 12 20 x 1.5	3/8"	3/8"	350/175	
1421 SRK	10		1/2"	7/8.14 F	1/2"	22 x 1.5	Ø 16 24 x 1.5	1/2"	1/2"	300/150	
1427 SRK	16		3/4"	1" 1/16.12 F	3/4"	30 x 1.5	Ø 20 30 x 2	3/4"	3/4"	300/150	
1434 SRK	22		1"	1" 5/16.12 F	1"	38 x 1.5	Ø 25 36 x 2	1"	1"	250/125	
1442 SRK	25		1" 1/4					1" 1/4	1" 1/4	250/125	
1449 SRK	30		1" 1/2					1" 1/2	1" 1/2	200/100	
1460 SRK	38		2"					2"	2"	200/100	

# 1400 SR series

## DIMENSION TABLE



Ref.	E. Rotary Seal	Nominal Ø
1413	GR 10V	5
1417	GR 817SRV	8
1421	GR821SRV	10
1427	GR827SRV	16
1434	GR834SRV	22
1442	GR849SRV	25
1449	GR849SRV	30
1460	GR860SRV	38



Connection Hoses	Type 1 - JIC							Type 2 - BSPP							Type 3 - DIN 7608							Type 4 - DIN 2353 S							Type 5 - BSPP / GAZ							Type 6 - NPT							
	JIC	F	G	J	A	I	H	BSP	F	G	J	A	I	H	DIN 7608	F	G	J	A	I	H	DIN 2353S	F	G	J	A	I	H	BSPP	F	G	J	A	I	H	NPT	F	G	J	A	I	H	
<b>BSPP Type A</b>	1413SRK 1/4"	1/2.20F	50	31	25	36	19	22	1/4"	50	31	23	34	19	22	16x1.5	50	31	22	33	19	22	Ø8-16x1.5	50	31	23	34	19	22	1/4"	50	31	26	37	19	22	1/4"	50	31	26	37	19	22
	1417SRK 3/8"	3/4.16F	60	37	31	45	23	28	3/8"	60	37	28	42	23	28	18x1.5	60	37	25	39	23	28	Ø12-20x1.5	60	37	26	40	23	28	3/8"	60	37	30	44	23	28	3/8"	60	37	30	44	23	28
	1421SRK 1/2"	7/8.14F	68	43	35	51	32	32	1/2"	68	43	32	48	32	32	22x1.5	68	43	28	44	32	32	Ø16-24x1.5	68	43	30	46	32	32	1/2"	68	43	30	46	32	32	1/2"	68	43	32	48	32	32
	1427SRK 3/4"	1 1/16.12F	85	53	42	62	35	40	3/4"	85	53	38	58	35	40	30x1.5	85	53	32	52	35	40	Ø20-30x2	85	53	36	56	35	40	3/4"	85	53	38	58	35	40	3/4"	85	53	38	58	35	40
	1434SRK 1"	1 5/16.12F	96	60	48	73	41	50	1"	96	60	46	71	41	50	38x1.5	96	60	39	64	41	50	Ø25-36x2	96	60	45	70	41	50	1"	96	60	45	70	41	50	1"	96	60	45	70	41	50
	1442SRK 1 1/4																													1 1/4	112	66,5	53,5	85	46	63	1 1/4	112	66,5	53,5	85	46	63
	1449SRK 1 1/2																													1 1/2	136,5	79	67	108	55	82	1 1/2	136,5	79	67	108	55	82
	1460SRK 2"																													2"	159	92	77	125	70	96	2"	159	92	77	125	70	96
<b>Metric NF E 48.050 Type B</b>	1413SRK 1/4"	1/2.20F	50	31	25	36	19	22	1/4"	50	31	23	34	19	22	16x1.5	50	31	22	33	19	22	Ø8-16x1.5	50	31	23	34	19	22	1/4"	50	31	26	37	19	22	1/4"	50	31	26	37	19	22
	1417SRK 3/8"	3/4.16F	60	37	31	45	23	28	3/8"	60	37	28	42	23	28	18x1.5	60	37	25	39	23	28	Ø12-20x1.5	60	37	26	40	23	28	3/8"	60	37	30	44	23	28	3/8"	60	37	30	44	23	28
	1421SRK 1/2"	7/8.14F	68	43	35	51	32	32	1/2"	68	43	32	48	32	32	22x1.5	68	43	28	44	32	32	Ø16-24x1.5	68	43	30	46	32	32	1/2"	68	43	30	46	32	32	1/2"	68	43	32	48	32	32
	1427SRK 3/4"	1 1/16.12F	85	53	42	62	35	40	3/4"	85	53	38	58	35	40	30x1.5	85	53	32	52	35	40	Ø20-30x2	85	53	36	56	35	40	3/4"	85	53	38	58	35	40	3/4"	85	53	38	58	35	40
	1434SRK 1"	1 5/16.12F	96	60	48	73	41	50	1"	96	60	46	71	41	50	38x1.5	96	60	39	64	41	50	Ø25-36x2	96	60	45	70	41	50	1"	96	60	45	70	41	50	1"	96	60	45	70	41	50
<b>UNF 2A (SAB) Type C</b>	1413SRK 1/4"	1/2.20F	50	31	25	36	19	22	1/4"	50	31	23	34	19	22	16x1.6	50	31	22	33	19	22	Ø8-16x1.5	50	31	23	34	19	22	1/4"	50	31	26	37	19	22	1/4"	50	31	26	37	19	22
	1417SRK 3/8"	3/4.16F	60	37	31	45	23	28	3/8"	60	37	28	42	23	28	18x1.6	60	37	25	39	23	28	Ø12-20x1.5	60	37	26	40	23	28	3/8"	60	37	30	44	23	28	3/8"	60	37	30	44	23	28
	1421SRK 1/2"	7/8.14F	68	43	35	51	32	32	1/2"	68	43	32	48	32	32	22x1.6	68	43	28	44	32	32	Ø16-24x1.5	68	43	30	46	32	32	1/2"	68	43	30	46	32	32	1/2"	68	43	32	48	32	32
	1427SRK 3/4"	1 1/16.12F	85	53	42	62	35	40	3/4"	85	53	38	58	35	40	30x1.6	85	53	32	52	35	40	Ø20-30x2	85	53	36	56	35	40	3/4"	85	53	38	58	35	40	3/4"	85	53	38	58	35	40
	1434SRK 1"	1 5/16.12F	96	60	48	73	41	50	1"	96	60	46	71	41	50	38x1.6	96	60	39	64	41	50	Ø25-36x2	96	60	45	70	41	50	1"	96	60	45	70	41	50	1"	96	60	45	70	41	50
<b>NTP (Briggs) Type D</b>	1413SRK 1/4"	1/2.20F	50	31	25	36	19	22	1/4"	50	31	23	34	19	22	16x1.6	50	31	22	33	19	22	Ø8-16x1.5	50	31	23	34	19	22	1/4"	50	31	26	37	19	22	1/4"	50	31	26	37	19	22
	1417SRK 3/8"	3/4.16F	60	37	31	45	23	28	3/8"	60	37	28	42	23	28	18x1.6	60	37	25	39	23	28	Ø12-20x1.5	60	37	26	40	23	28	3/8"	60	37	30	44	23	28	3/8"	60	37	30	44	23	28
	1421SRK 1/2"	7/8.14F	68	43	35	51	32	32	1/2"	68	43	32	48	32	32	22x1.6	68	43	28	44	32	32	Ø16-24x1.5	68	43	30	46	32	32	1/2"	68	43	30	46	32	32	1/2"	68	43	32	48	32	32
	1427SRK 3/4"	1 1/16.12F	85	53	42	62	35	40	3/4"	85	53	38	58	35	40	30x1.6	85	53	32	52	35	40	Ø20-30x2	85	53	36	56	35	40	3/4"	85	53	38	58	35	40	3/4"	85	53	38	58	35	40
	1434SRK 1"	1 5/16.12F	96	60	48	73	41	50	1"	96	60	46	71	41	50	38x1.6	96	60	39	64	41	50	Ø25-36x2	96	60	45	70	41	50	1"	96	60	45	70	41	50	1"	96	60	45	70	41	50
	1442SRK 1 1/4																													1 1/4	112	66,5	53,5	85	46	63	1 1/4	112	66,5	53,5	85	46	63
	1449SRK 1 1/2																													1 1/2	136,5	79	67	108	55	82	1 1/2	136,5	79	67	108	55	82
	1460SRK 2"																													2"	159	92	77	125	70	96	2"	159	92	77	125	70	96
<b>BSP Type E</b>	1413SRK 1/4"	1/2.20F	48	29,5	25	36	19	22	1/4"	48	29,5	23	34	19	22	16x1.5	48	29,5	22	33	19	22	Ø8-16x1.5	48	29,5	23	34	19	22	1/4"	48	29,5	26	37	19	22	1/4"	48	29,5	26	37	19	22
	1417SRK 3/8"	3/4.16F	57	34	31	45	21	28	3/8"	57	34	28	42	21	28	18x1.5	57	34	25	39	21	28	Ø12-20x1.5	57	34	26	40	21	28	3/8"	57	34	30	44	21	28	3/8"	57	34	30	44	21	28
	1421SRK 1/2"	7/8.14F	68	39	35	51	23	32	1/2"	68	39	32	48	23	32	22x1.5	68	39	28	44	23	32	Ø16-24x1.5	68	39	30	46	23	32	1/2"	68	39	30	46	23	32	1/2"	68	39	32	48	23	32
	1427SRK 3/4"	1 1/16.12F	85	46	42	62	30	40	3/4"	78	46	38	58	30	40	30x1.5	78	46	32	52	30	40	Ø20-30x2	78	46	36	56	30	40	3/4"	78	46	38	58	30	40	3/4"	78	46	38	58	30	40
	1434SRK 1"	1 5/16.12F	91,5	55,5	48	73	42	50	1"	91,5	55,5	46	71	42	50	38x1.5	91,5	55,5	39	64	42	50	Ø25-36x2	91,5	55,5	45	70	42	50	1"	91,5	55,5	45	70	42	50	1"	91,5	55,5	45	70	42	50
	1442SRK 1 1/4																													1 1/4	112	66,5	53,5	85	46	63	1 1/4	112	66,5	53,5	85	46	63
	1449SRK 1 1/2																													1 1/2	136,5	79	67	108	55	82	1 1/2	136,5	79	67	108	55	82
	1460SRK 2"																													2"	159	92	77	125	70	96	2"	159	92	77	125	70	96